

The only existing pushing and pulling system electric battery 14.4V operated.

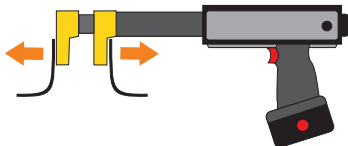
- Pulling power: 5 Ton.
- Pushing power: 5 Ton.
- Piston stroke: 130 mm



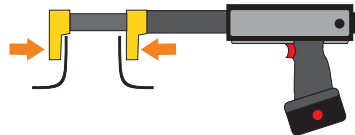
PATENTED



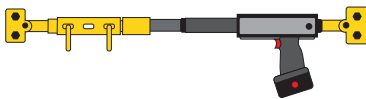
Spreading:



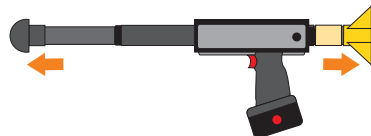
Pressing:



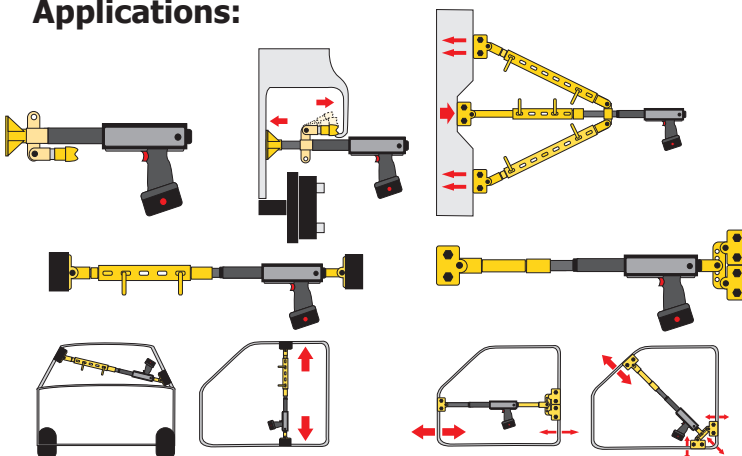
Pulling:



Pushing:



Applications:



Included :



Standard kit Packaging dimensions:
425x620x210 mm - 18 kg



Accessories kit Packaging dimensions:
425 x 620 x 150 mm - 20 kg